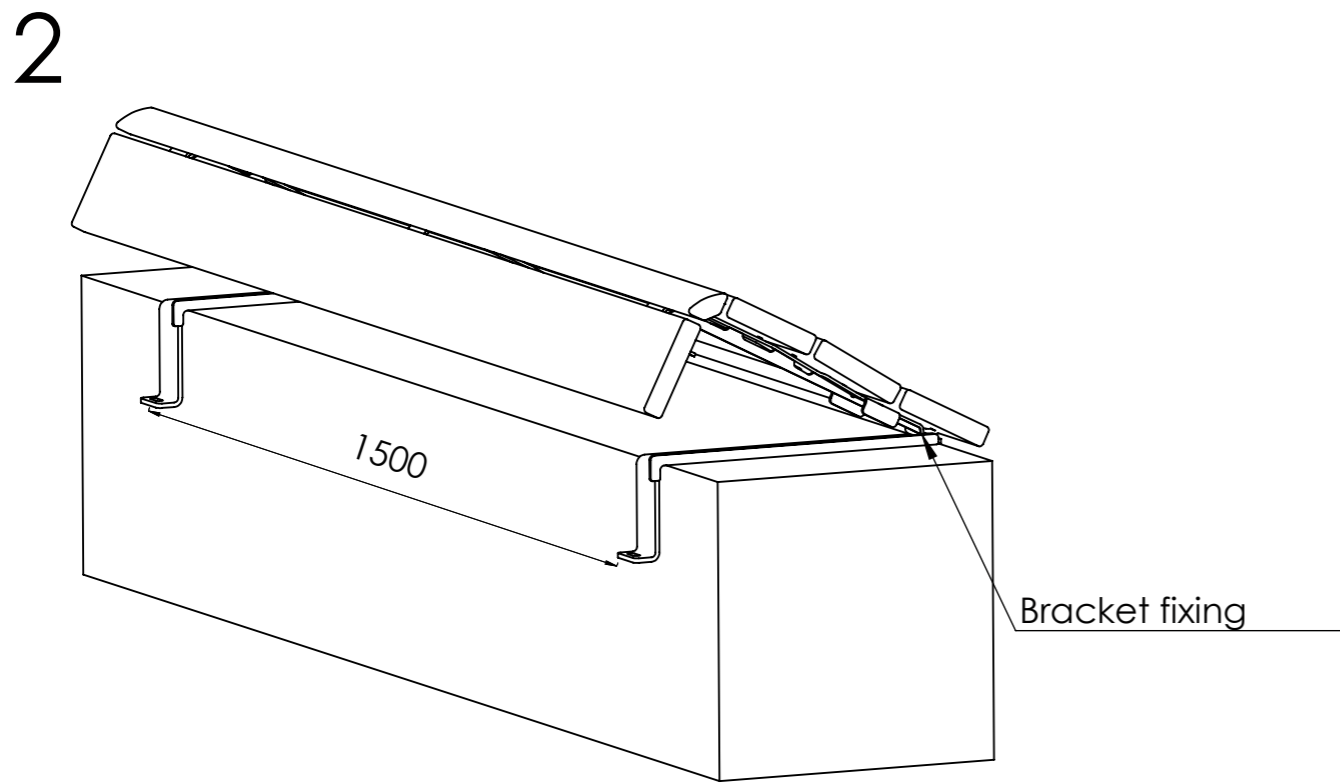
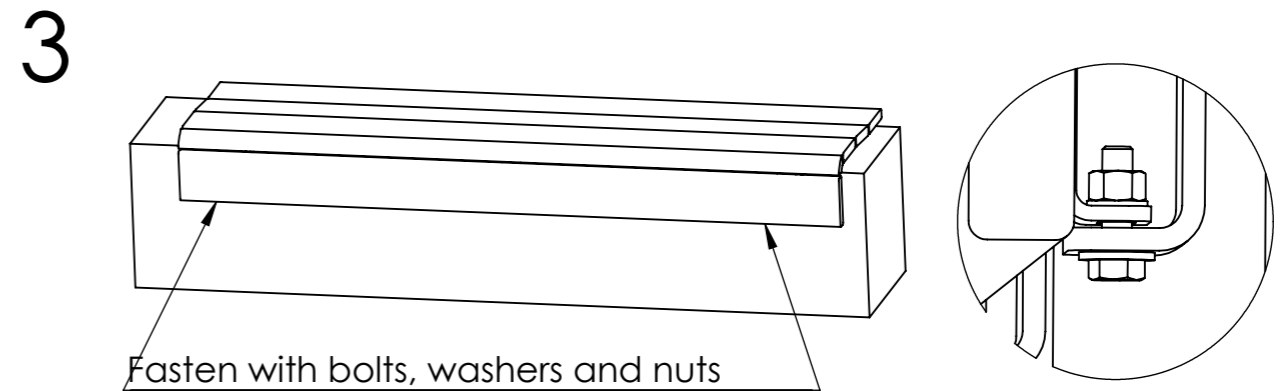


1. Prepare the base with suitable height and flat surface
2. Use appropriate fixing anchors to fasten the bracket fixings (2pcs)



Assemble seat by sliding into bracket fixing at an angle



Fasten seat with 2x M8 bolts



Product:

Veer seat installation\_VERJ180

Specification requirements:  
ISO 2768-1

Author:  
H. Lurje

Date:  
21.07.2023

Drawing:  
nr. 1