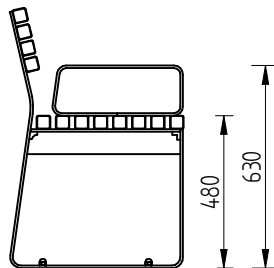
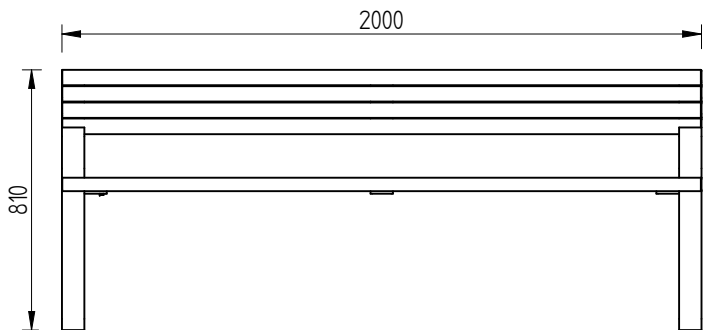


# PRIMA

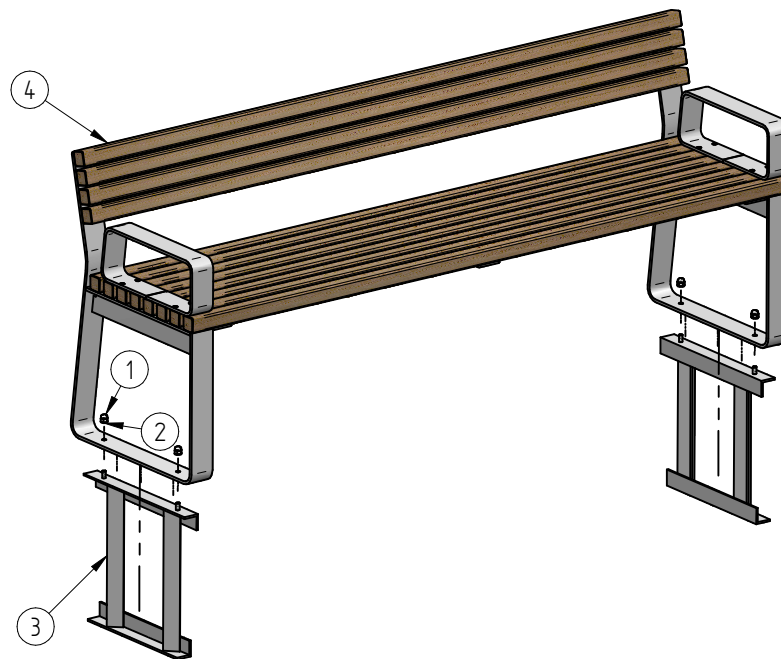
## PRI200B

Date: 05.07.2013

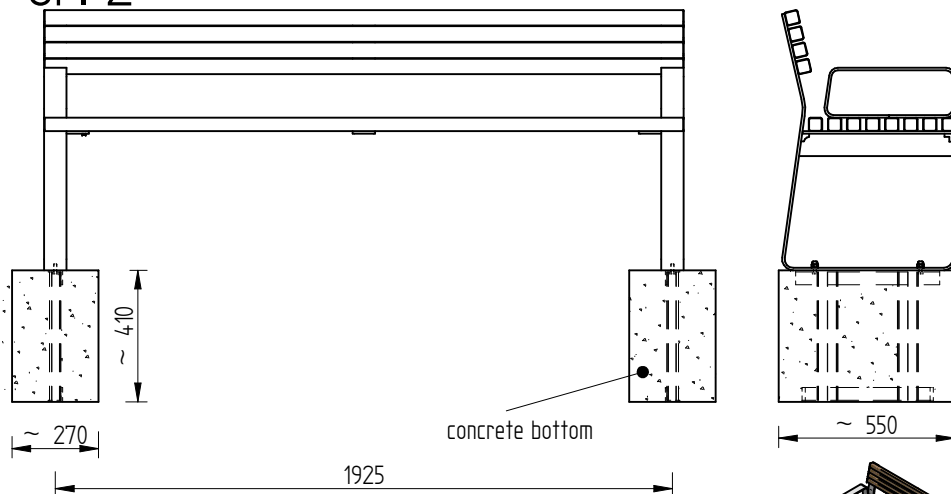
Page: 1/1



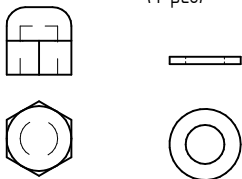
### OP. 1



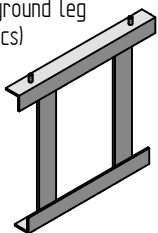
### OP. 2



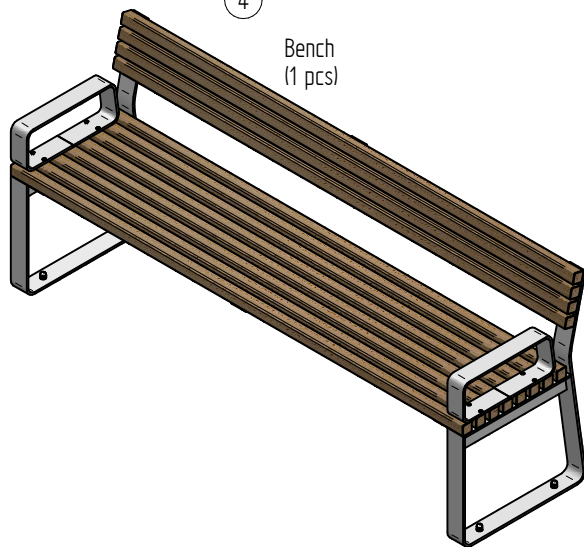
- ① Nut M10 (4 pcs)
- ② Washer  $\phi 10$  (4 pcs)



- ③ In-ground leg (2 pcs)



- ④ Bench (1 pcs)



EXTERY