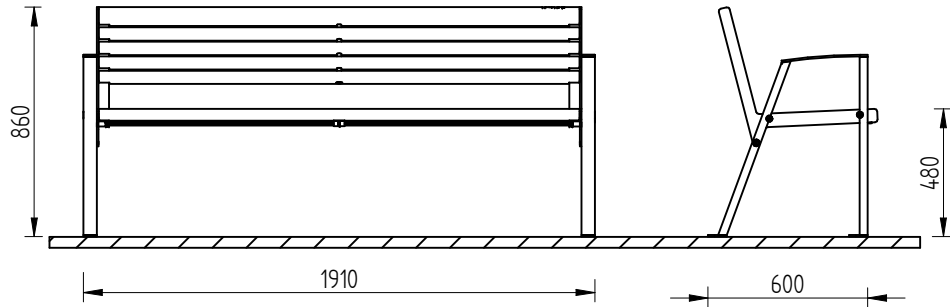


KLAAR WOOD

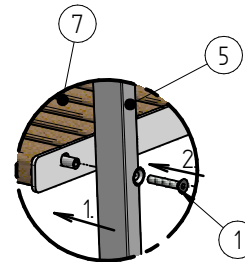
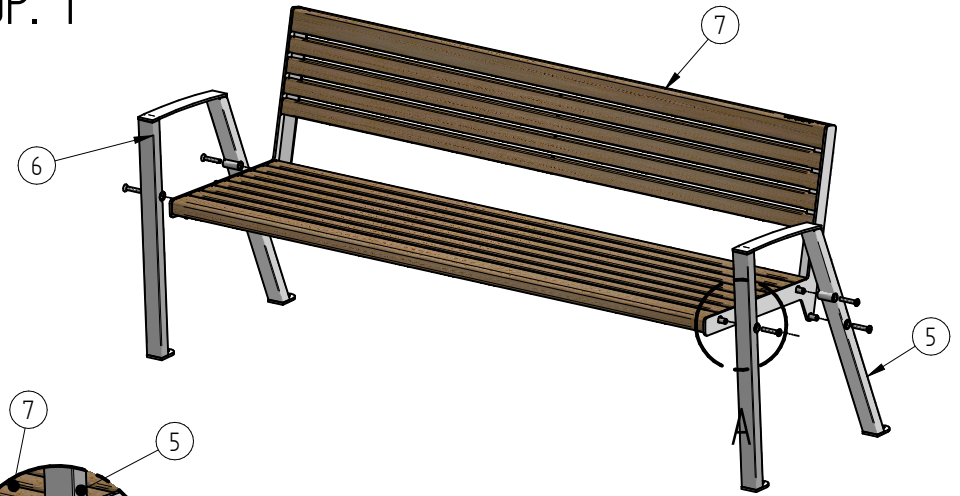
KLW190

Date: 09.04.2013

Page: 1/2

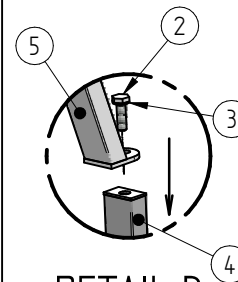
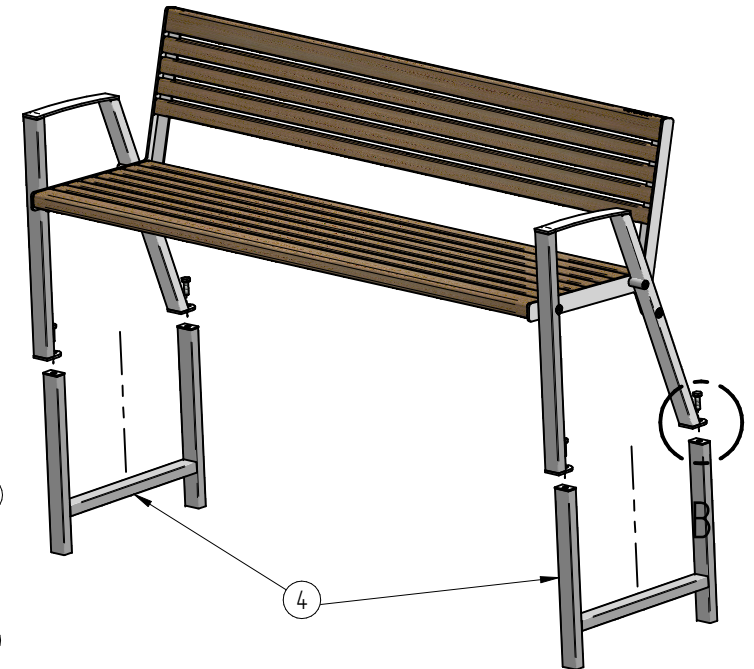


OP. 1

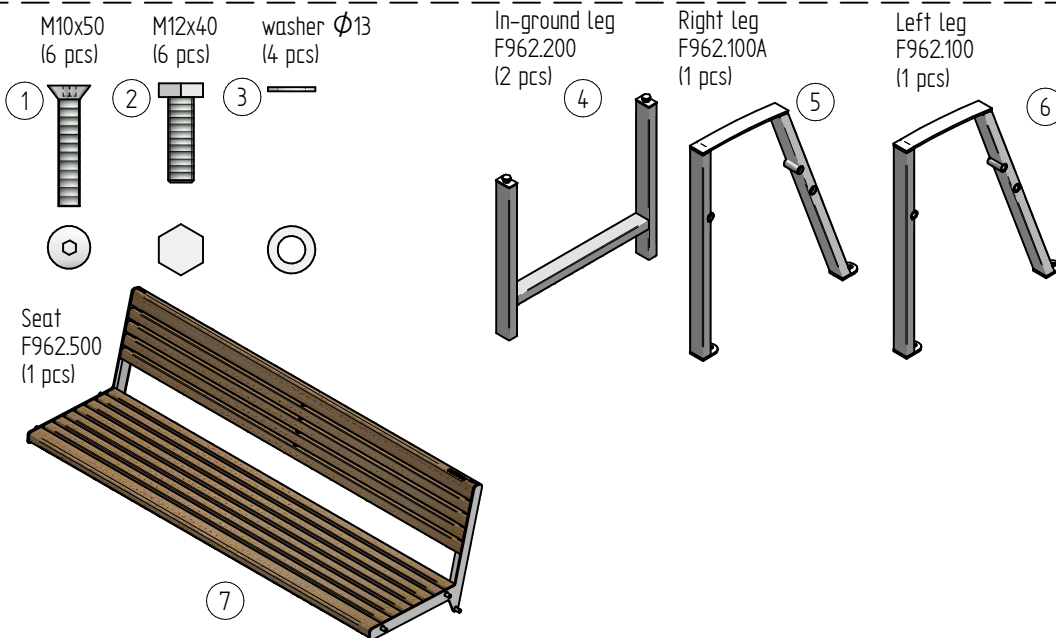


DETAIL A

OP. 2



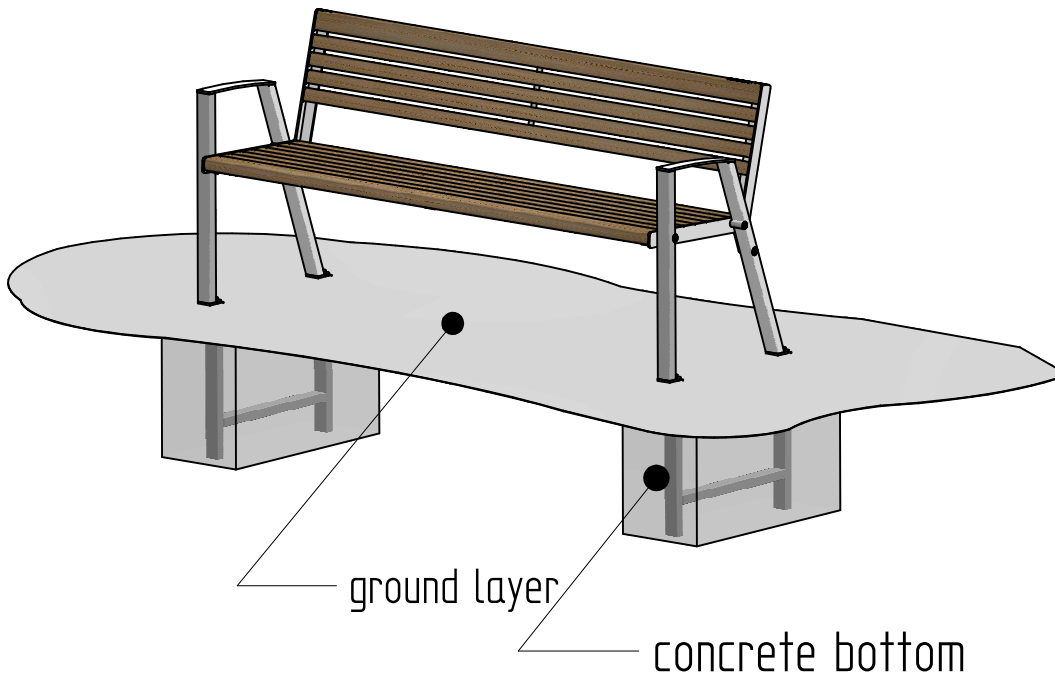
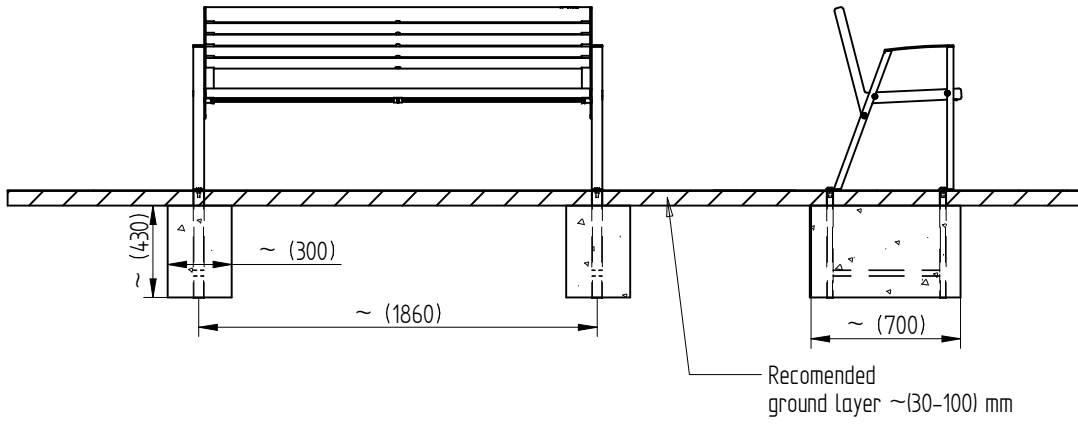
DETAIL B



EXTERE

OP. 3

Page: 2/2



OP. 4

EXTERY